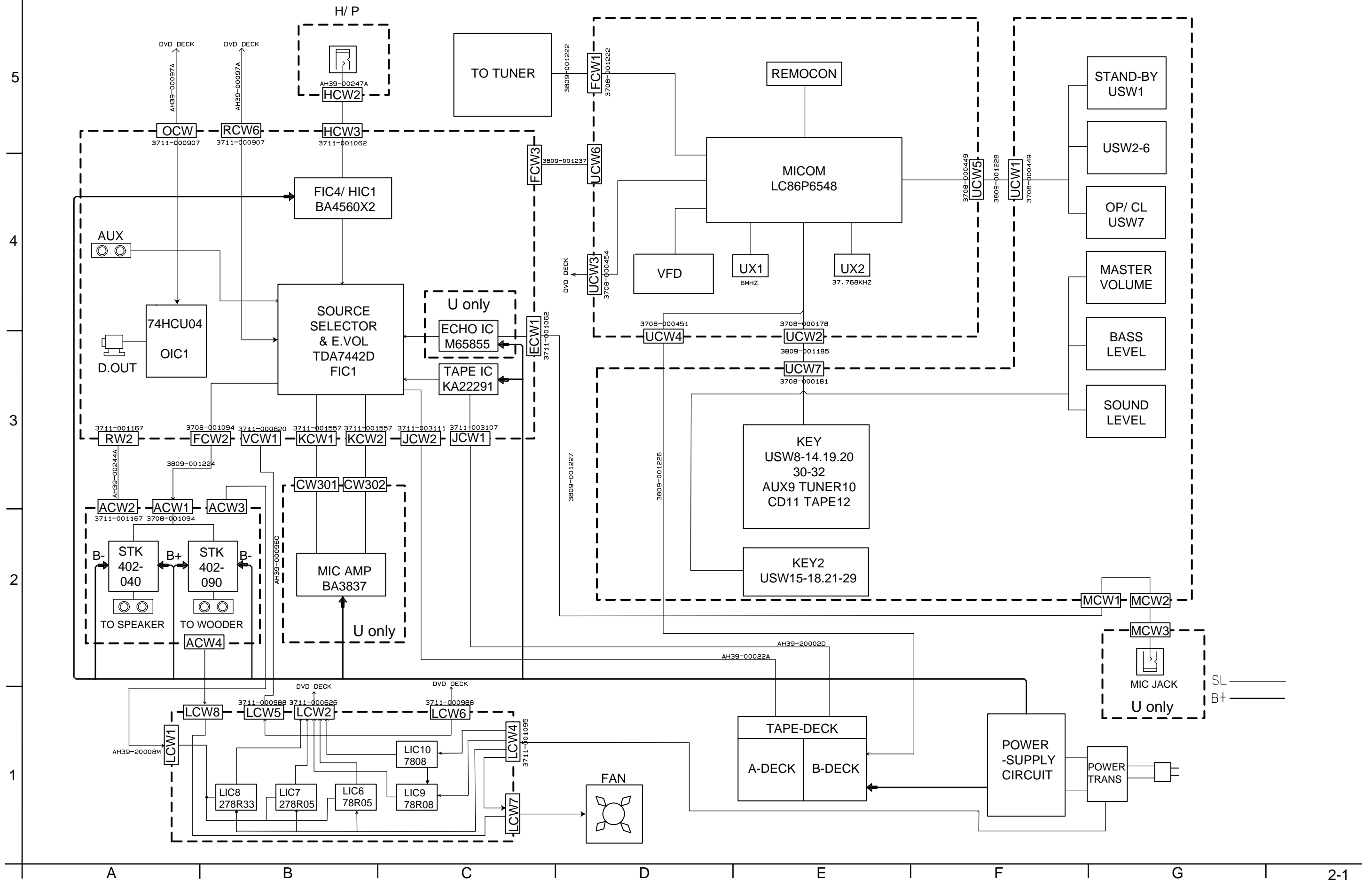


# Block diagram



# Standard schematic diagrams

## Main section

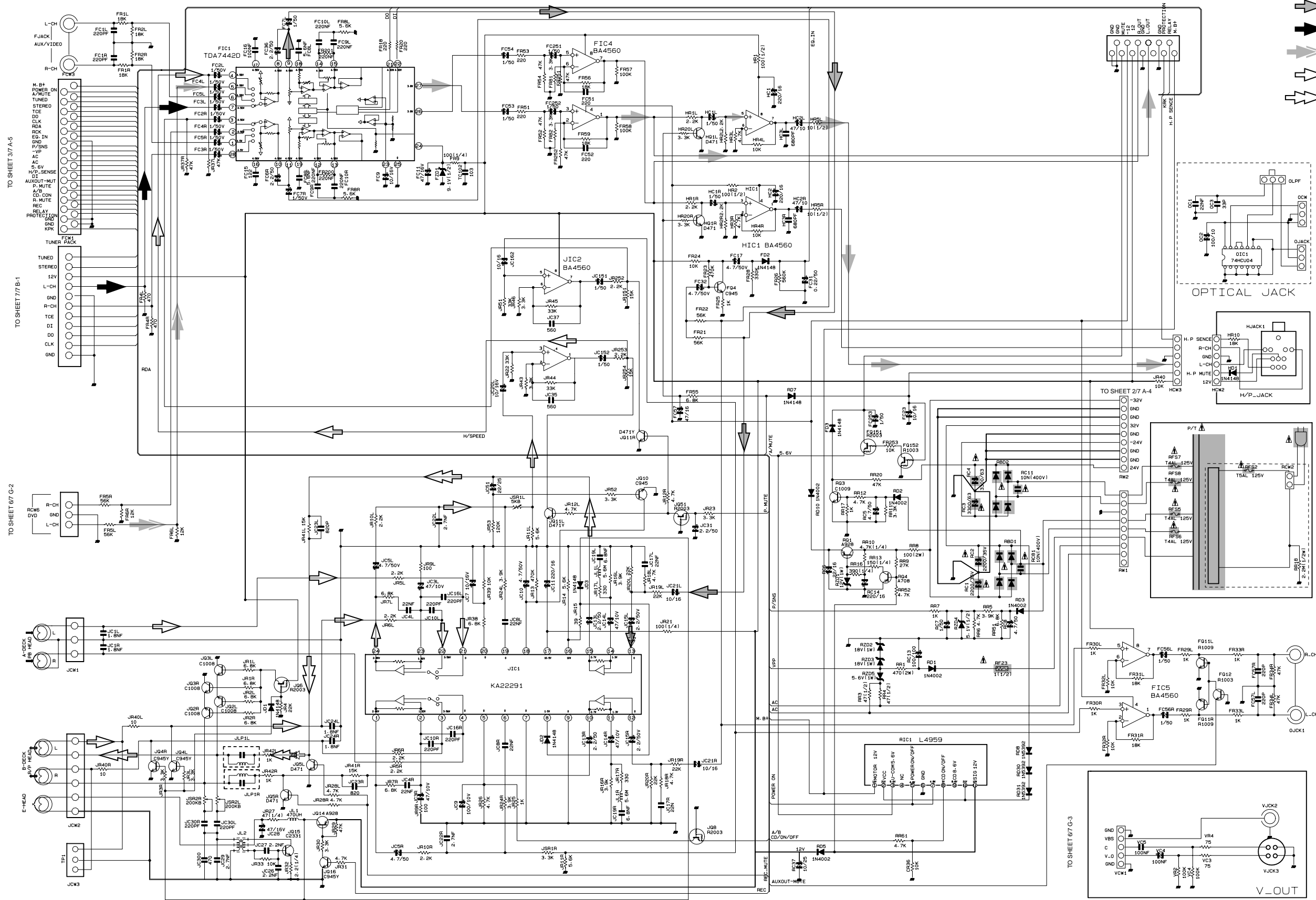
5

4

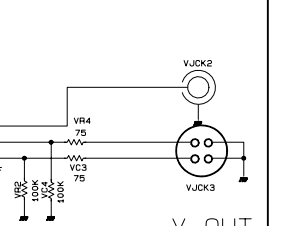
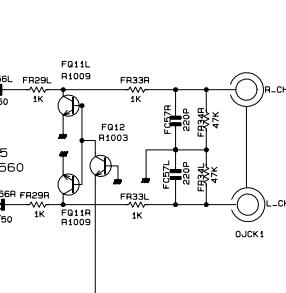
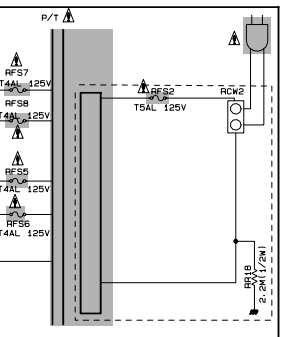
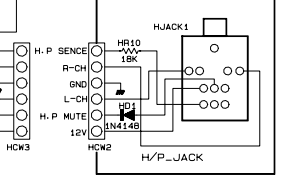
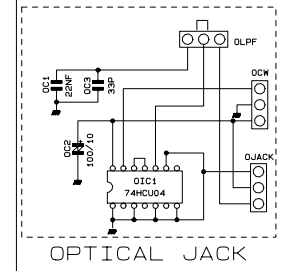
3

2

1



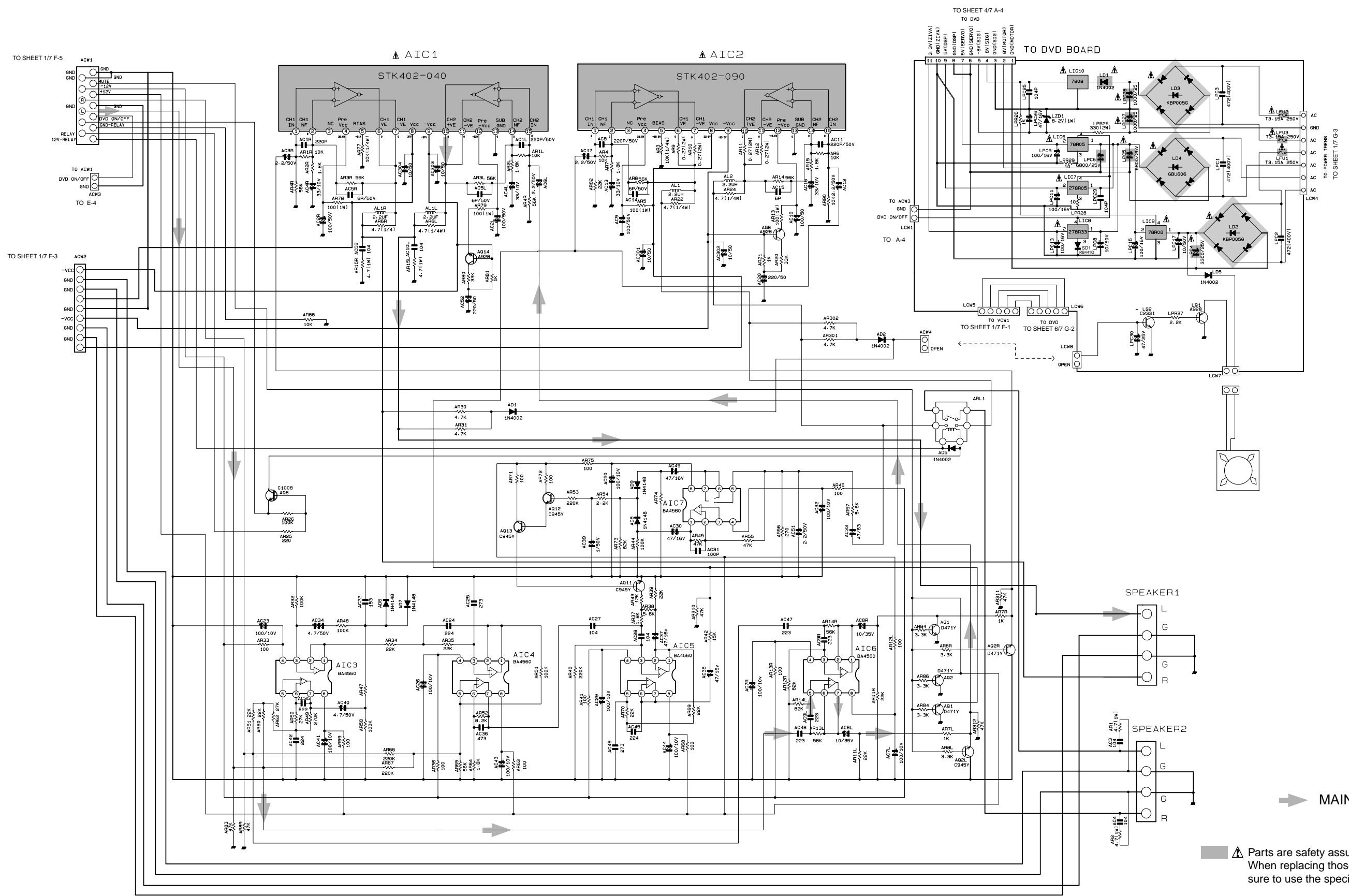
- ➔ MAIN signal
- ➔ PRE MAIN signal
- ➔ TUNER signal
- ➔ CD signal
- ➔ TAPE P.B. signal
- ➔ TAPE REC. signal



⚠ Parts are safety assurance parts. When replacing those parts make sure to use the specified one.

Amplifier section

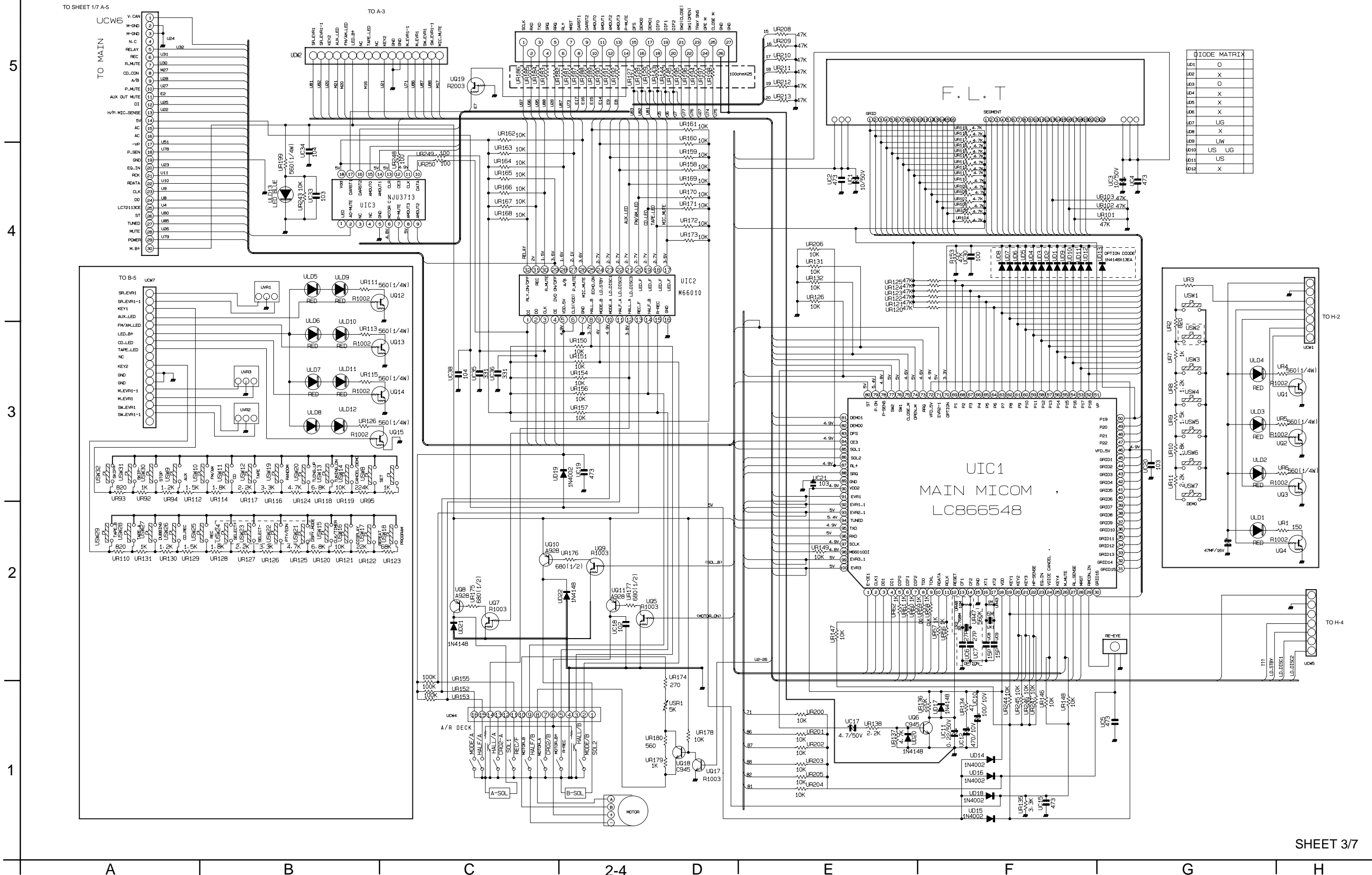
5  
4  
3  
2  
1



➔ MAIN Signal

▲ Parts are safety assurance parts. When replacing those parts make sure to use the specified one.

Front control section



DIODE MATRIX

U01	O
U02	X
U03	O
U04	X
U05	X
U06	X
U07	UG
U08	X
U09	UW
U10	US UG
U11	US
U12	X

F.L.T

UIC1  
MAIN MICOM  
LC866548



MPEG Decoder section

Voltage charts		ZIVA5 (U8)		Play		Power on		Play		Power on		Play		Power on		Play		Power on		Play		Power on		Play		Power on		Play	
Pin No	Power on	Pin No	Power on	Pin No	Power on	Pin No	Power on	Pin No	Power on	Pin No	Power on	Pin No	Power on	Pin No	Power on	Pin No	Power on	Pin No	Power on	Pin No	Power on	Pin No	Power on	Pin No	Power on	Pin No	Power on	Pin No	Power on
1	3.1v	16	3.6v	31	3.1v	46	3.0v	61	3.2v	76	0.8v	91	2.8v	106	2.2v	121	2.0v	136	2.0v	151	1.1v	166	2.0v	181	1.1v	196	2.0v	211	1.1v
2	20mv	17	3.6v	32	3.1v	47	3.0v	62	3.2v	77	1.1v	92	0.8v	107	2.1v	122	3.1v	137	2.0v	152	2.0v	167	2.0v	182	3.1v	197	2.0v	212	3.1v
3	3.6v	18	3.6v	33	3.6v	48	0.9v	63	3.1v	78	1.1v	93	3.4v	108	2.1v	123	1.4v	138	3.1v	153	3.1v	168	2.0v	183	3.1v	198	2.0v	213	3.1v
4	3.6v	19	3.6v	34	2.7v	49	1.9v	64	0.8v	79	2.3v	94	3.4v	109	2.0v	124	2.0v	139	3.1v	154	3.1v	169	2.0v	184	3.1v	199	2.0v	214	1.1v
5	3.6v	20	3.1v	35	3.1v	50	2.3v	65	1.3v	80	2.0v	95	2.8v	110	4.9v	125	3.1v	140	3.1v	155	3.1v	170	3.1v	185	3.1v	200	3.1v	215	0.4v
6	3.6v	21	20mv	36	1.2v	51	58mv	66	1.1v	81	0.7v	96	2.0v	111	2.0v	126	1.1v	141	2.6v	156	3.1v	171	3.1v	186	3.1v	201	3.1v	216	1.5v
7	3.6v	22	3.6v	37	1.5v	52	1.5v	67	3.1v	82	1.1v	97	3.8v	112	2.0v	127	2.0v	142	3.1v	157	3.1v	172	3.1v	187	3.1v	202	2.0v	217	4.1mv
8	3.6v	23	3.1v	38	1.7v	53	3.1v	68	0.8v	83	1.1v	98	3.1v	113	3.1v	128	3.1v	143	3.1v	158	3.1v	173	3.1v	188	3.1v	203	3.1v	218	3.0mv
9	3.6v	24	3.2v	39	1.7v	54	2.0v	69	0.9v	84	1.1v	99	2.8v	114	3.1v	129	3.1v	144	3.0v	159	3.1v	174	3.1v	189	3.1v	204	3.0v	219	3.0mv
10	3.6v	25	3.1v	40	3.2v	55	3.1v	70	70mv	85	2.0v	100	1v	115	3.1v	130	3.1v	145	2.0v	160	3.1v	175	3.1v	190	3.1v	205	3.1v	220	3.1v
11	3.6v	26	3.1v	41	1.6v	56	1.8v	71	40mv	86	3.6v	101	2.0v	116	4.9v	131	1v	146	2.1v	161	3.1v	176	3.1v	191	3.1v	206	3.1v	221	3.1v
12	3.1v	27	3.1v	42	3v	57	1.5v	72	1.2v	87	1.5v	102	2.0v	117	1.7v	132	2.0v	147	1.5v	162	3.1v	177	3.1v	192	3.1v	207	3.1v	222	3.1v
13	20mv	28	20mv	43	20mv	58	20mv	73	20mv	88	3.1v	103	2.0v	118	3.1v	133	3.1v	148	1.5v	163	2.0v	178	3.1v	193	3.1v	208	3.1v	223	3.1v
14	20mv	29	20mv	44	3.1v	59	80mv	74	3.1v	89	2.5v	104	3.1v	119	3.1v	134	3.1v	149	1.1v	164	3.1v	179	3.1v	194	3.1v	209	3.1v	224	3.1v
15	3.4v	30	1.9v	45	50mv	60	0.9v	75	1.1v	90	2.5v	105	2.5v	120	2.0v	135	1.1v	150	2.4v	165	3.1v	180	3.1v	195	3.1v	210	3.1v	225	2.2mv

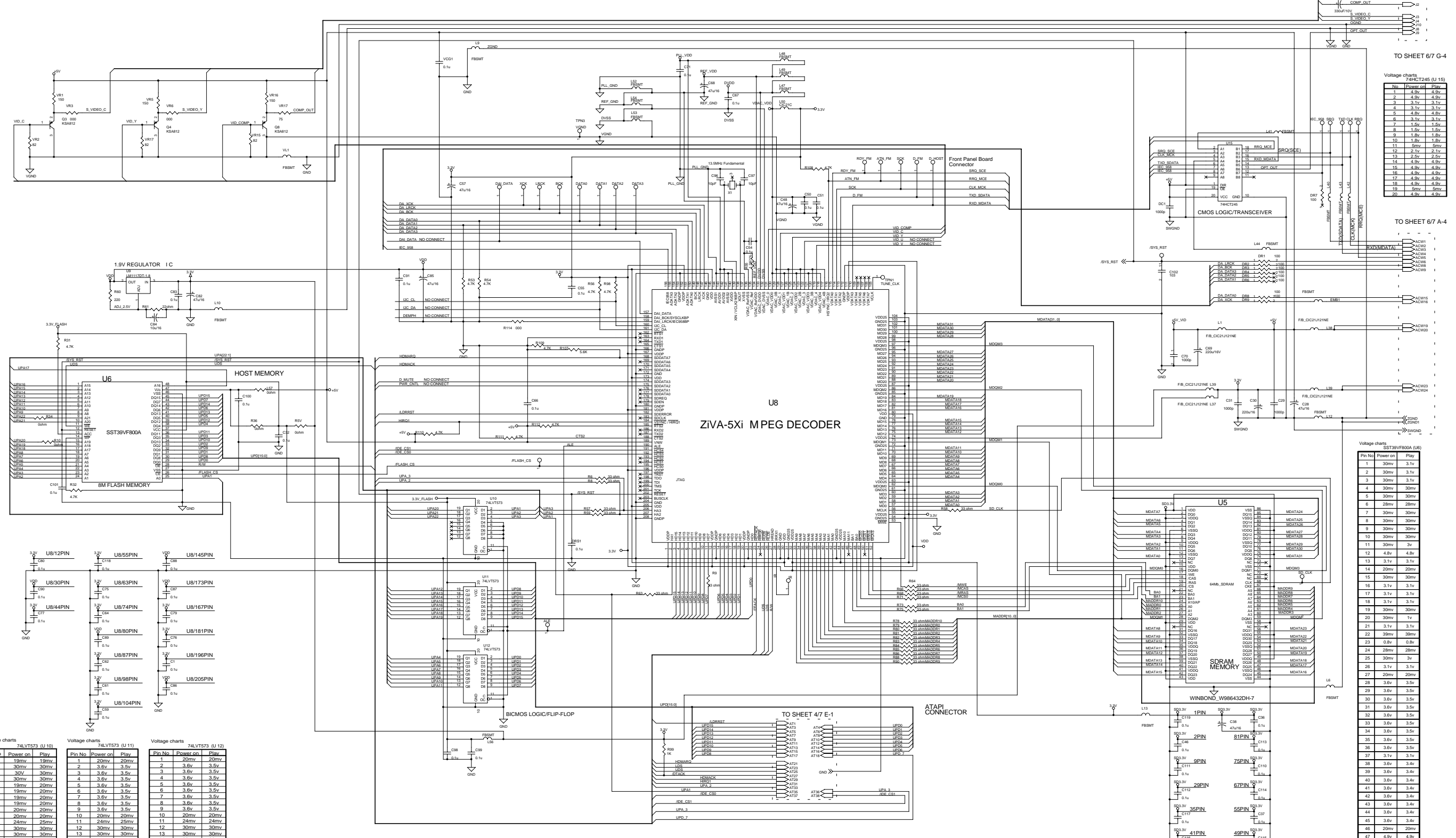
5

4

3

2

1



TO SHEET 6/7 G-4

TO SHEET 6/7 G-4

TO SHEET 4/7 E-1

TO SHEET 4/7 E-1

Voltage charts 74LVTS73 (U 10)

Pin No	Power on	Play
1	19mv	19mv
2	30mv	30mv
3	30v	30mv
4	30mv	30mv
5	19mv	20mv
6	19mv	20mv
7	19mv	20mv
8	19mv	20mv
9	20mv	20mv
10	20mv	20mv
11	24mv	24mv
12	30mv	30mv
13	30mv	30mv
14	30mv	30mv
15	30mv	30mv
16	30mv	30mv
17	30mv	30mv
18	30mv	30mv
19	30mv	30mv
20	3.3v	3.3v

Voltage charts 74LVTS73 (U 11)

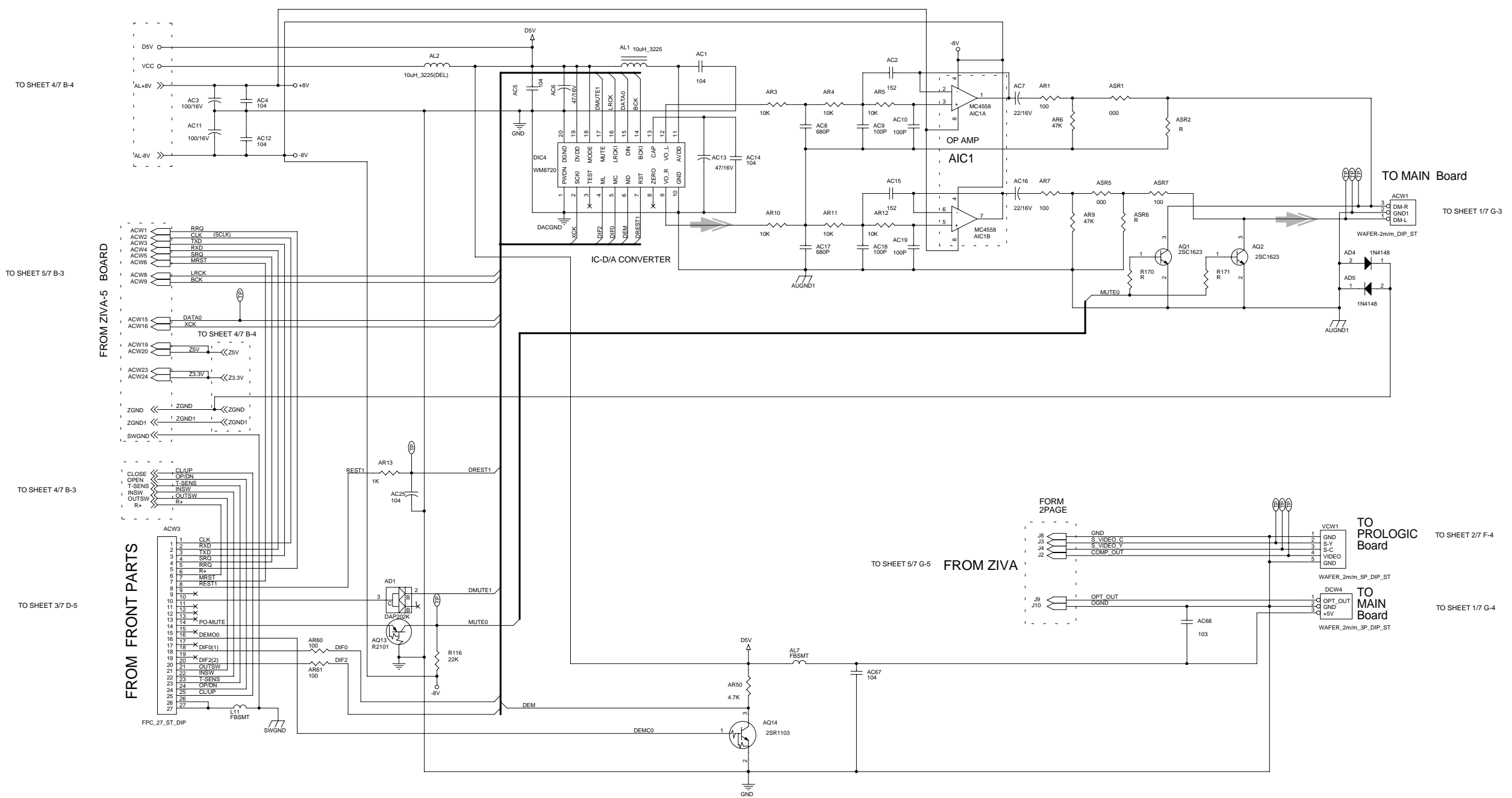
Pin No	Power on	Play
1	20mv	20mv
2	3.6v	3.5v
3	3.6v	3.5v
4	3.6v	3.5v
5	3.6v	3.5v
6	3.6v	3.5v
7	3.6v	3.5v
8	3.6v	3.5v
9	3.6v	3.5v
10	20mv	20mv
11	24mv	24mv
12	30mv	30mv
13	30mv	30mv
14	30mv	30mv
15	30mv	30mv
16	30mv	30mv
17	30mv	30mv
18	30mv	30mv
19	30mv	30mv
20	3.1v	3.1v

Voltage charts 74LVTS73 (U 12)

Pin No	Power on	Play
1	20mv	20mv
2	3.6v	3.5v
3	3.6v	3.5v
4	3.6v	3.5v
5	3.6v	3.5v
6	3.6v	3.5v
7	3.6v	3.5v
8	3.6v	3.5v
9	3.6v	3.5v
10	20mv	20mv
11	24mv	24mv
12	30mv	30mv
13	30mv	30mv
14	30mv	30mv
15	30mv	30mv
16	30mv	30mv
17	30mv	30mv
18	30mv	30mv
19	30mv	30mv
20	3.1v	3.1v

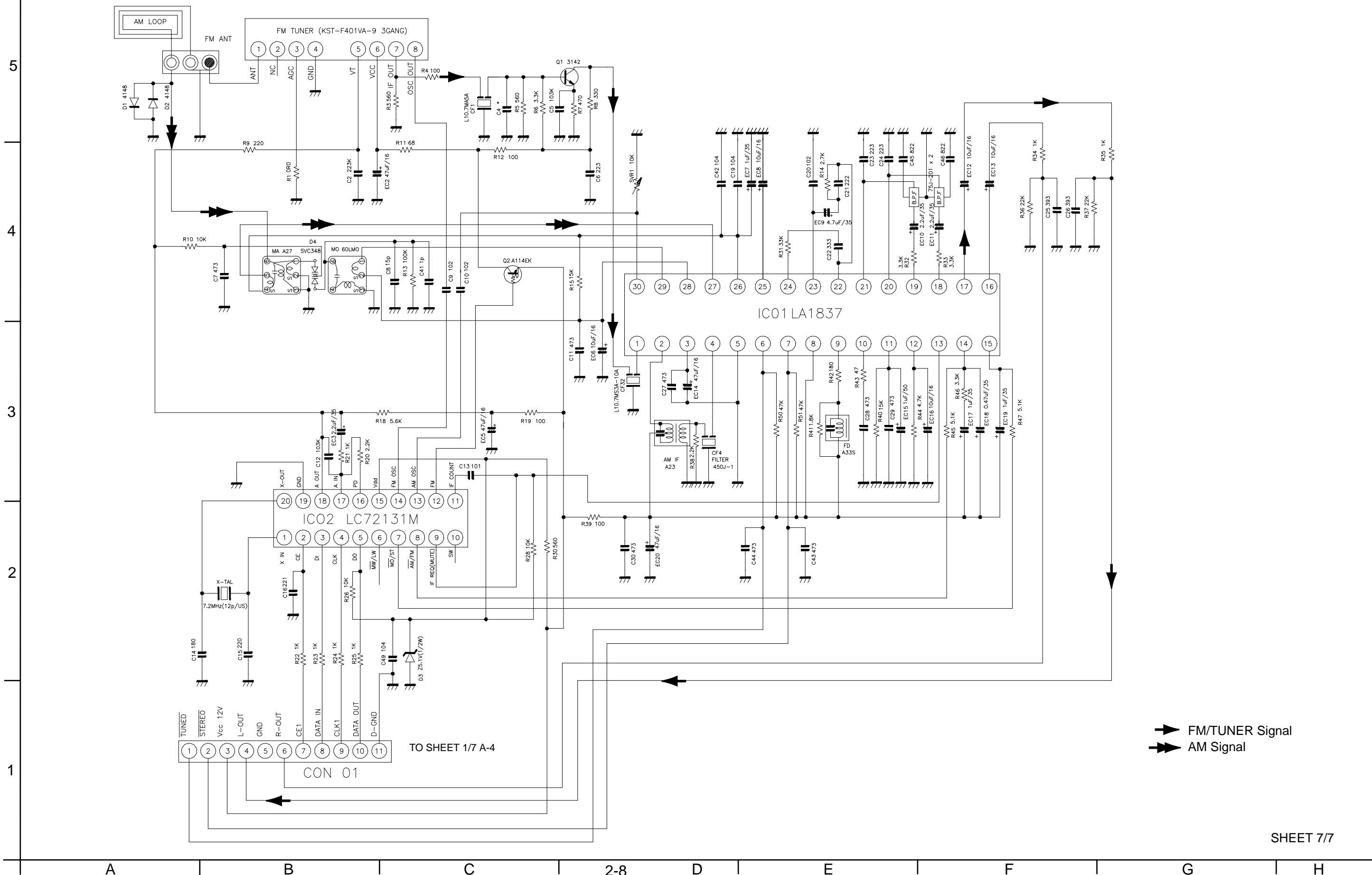
D/A Converter section

5  
4  
3  
2  
1



➡ CD signal

Tuner section



 FM/TUNER Signal  
 AM Signal

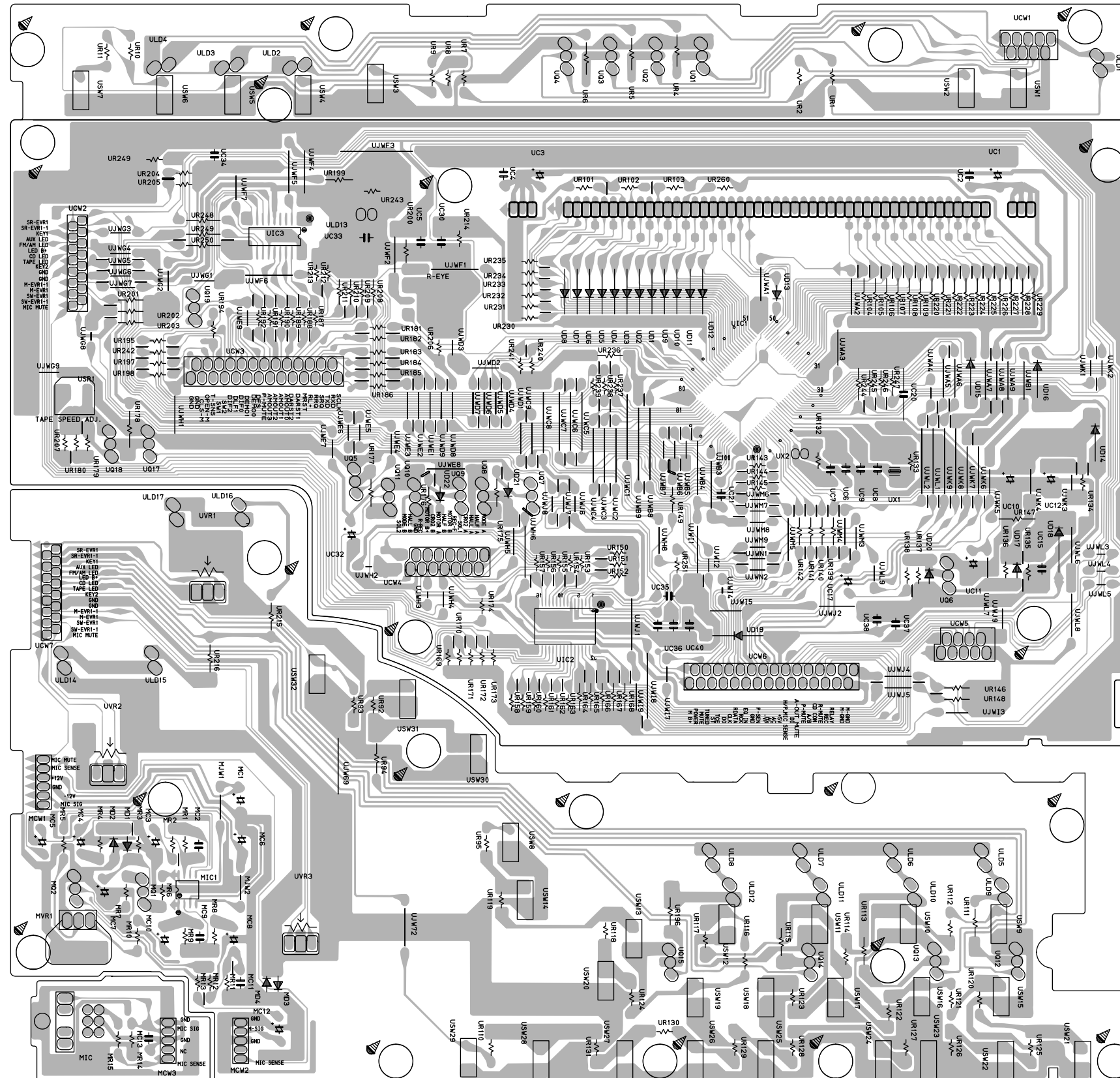






■ Front board

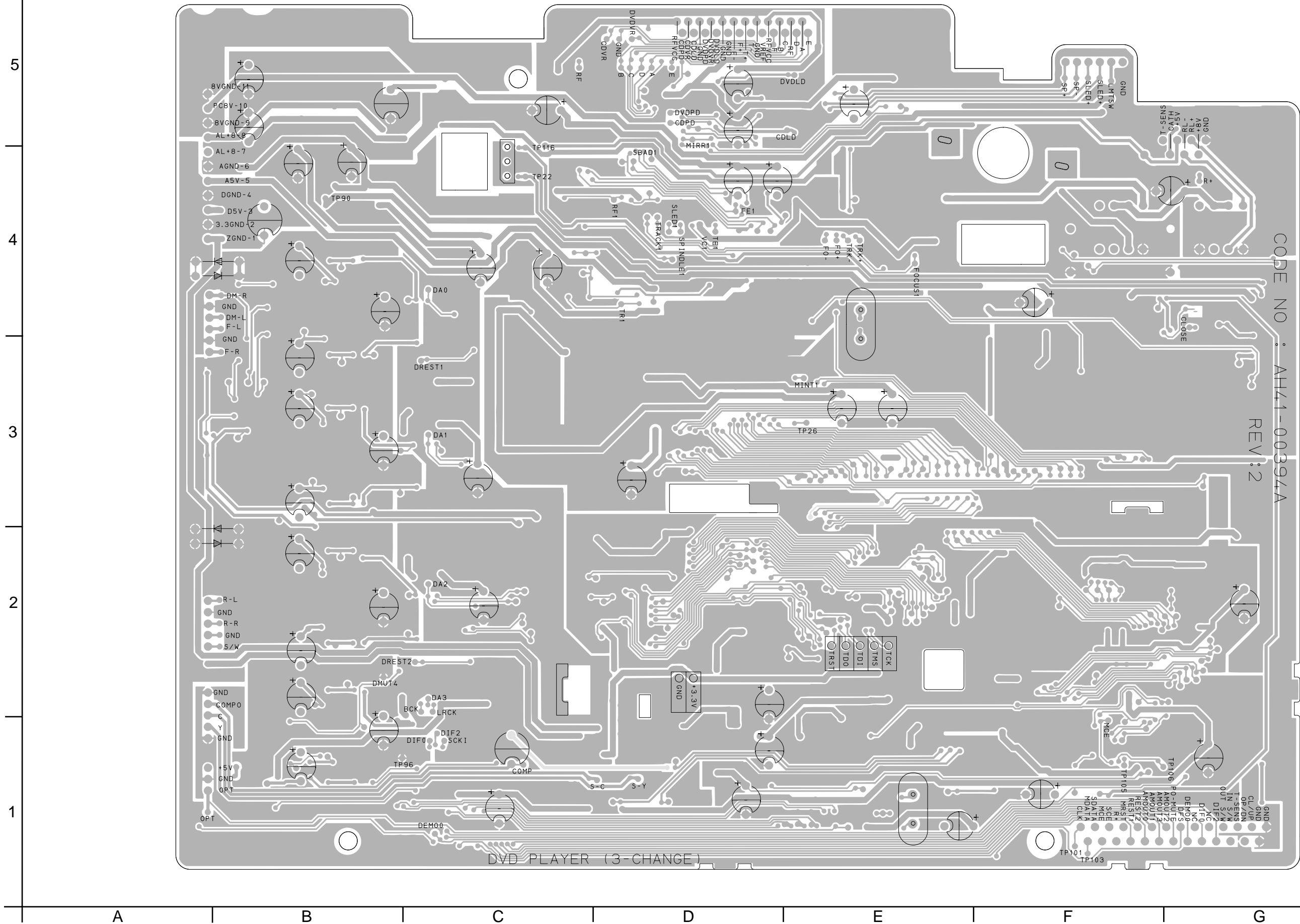
(Reverse side)





■ DVD board

(Reverse side)

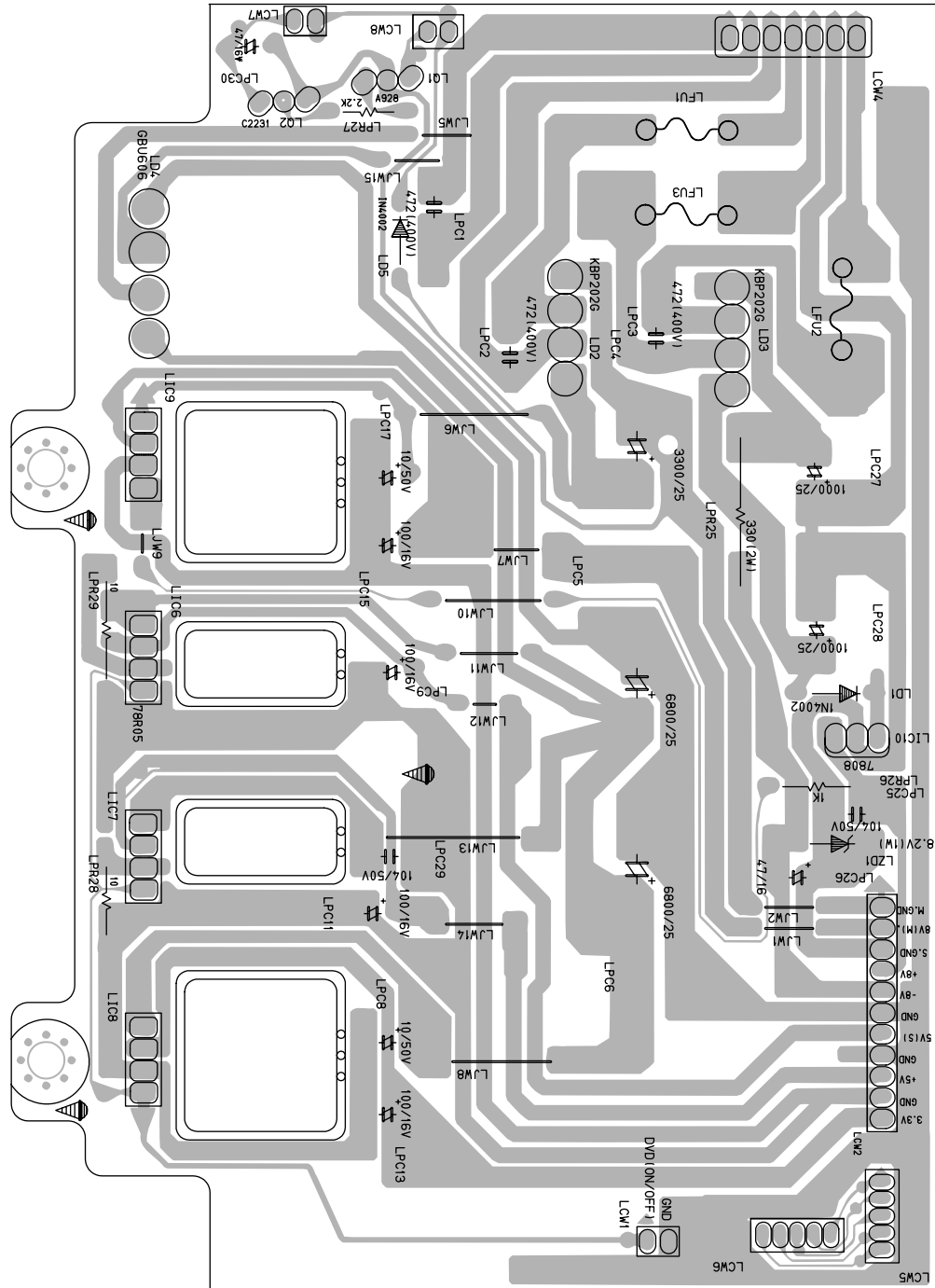






■ DVD power board

5  
4  
3  
2  
1



A

B

C

D